


NANOG56 Opening Welcome

22-October, 2012

David Newton, VP Global Infrastructure

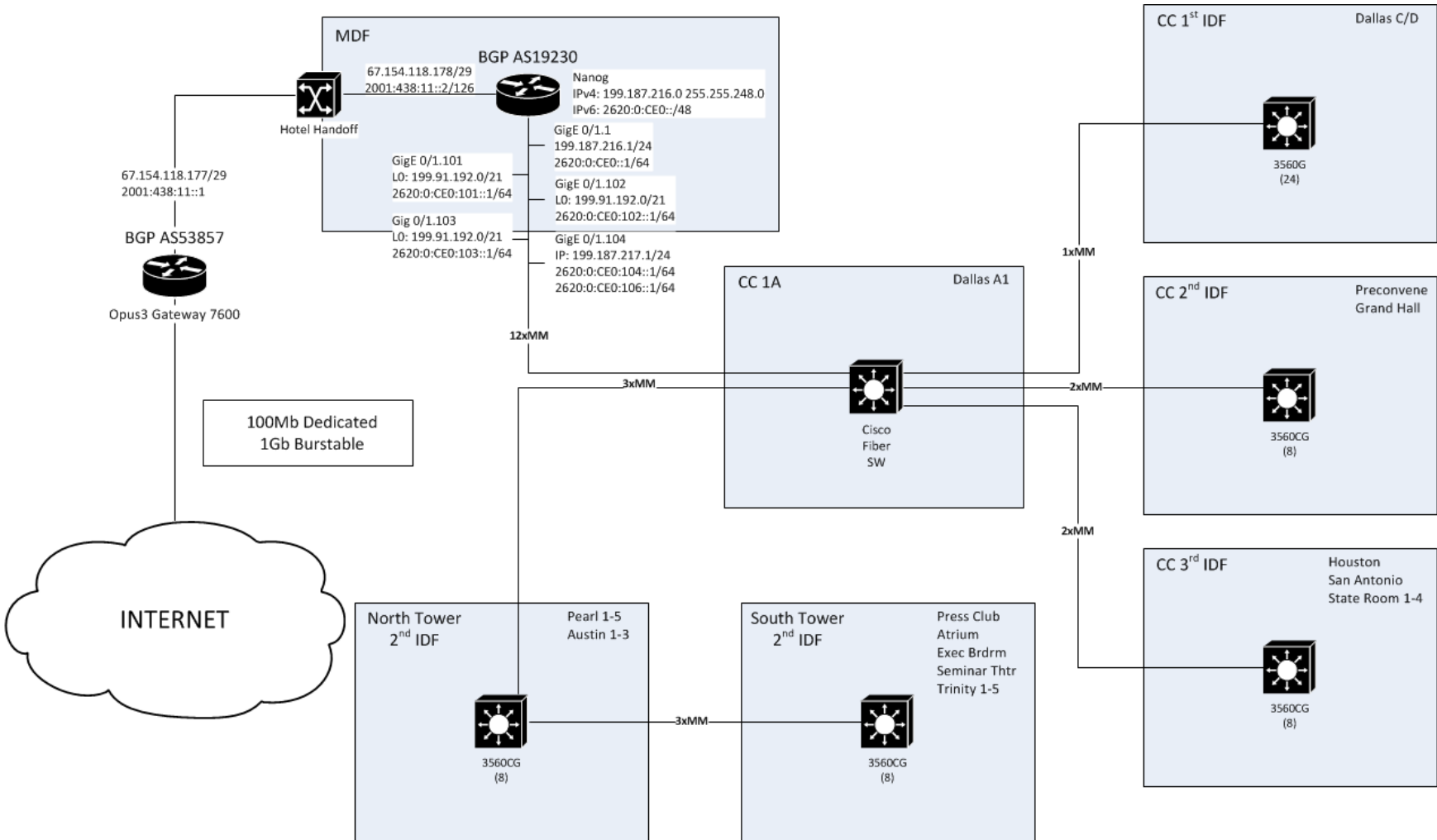


Introduction to NANOG

- **Welcome to NANOG56** in Dallas, TX
 - 5th time for Terremark to host a **NANOG** event
 - Personal first experience with the community
- **Recognize** those that helped make it happen
 - **David Herr** for providing the v4 and v6 transit 
 - **Betty Burke** and **Terremark team** for logistics coordination
 - **Alfredo Vadillo**, **Sylvia Bertram** and **Victor Moreno** network engineering



Obligatory Network Diagram



Some Things Change...

- **Rename the Brand**
 - *Terremark* became **Terremark** – a Verizon Company
 - *Terremark* – a Verizon Company is now **verizon**
terremark
- **Change in Leaders**
 - Operations and Sales managed by *Terremark* leaders
 - Component of **Verizon Enterprise Services**
- **Integration** into VZ for back office services
 - Finance, HR, Legal, etc.



...And Others Stay The Same

- **Commitment** to peering community and our customers
 - 2013 **investment** in peering platforms globally
 - **Addition** of resources to manage relationships and networks
 - Carrier neutral culture **continues** in existing and new locations
 - Including locations acquired through merger!
 - **Operate** highly connected data centers around the globe
 - **Develop** and **deliver** innovative IT services that lead the industry
 - **Connect** customers to customers
 - Ability to **influence** change in the industry



Thank You!

- **Welcoming** me to the community
- **Visiting** Dallas and North Texas
- Continued to **participation** in NANOG events

dnewton@terremark.com

