

AMS-IX the latest

- 100GE - launched
- Interfaces: 10x10-10km (€12250),
100GBASE-LR4 10km (€15500)
- Available as of today

More Bandwidth

100GE Field Trial

Martin Pels <martin.pels@ams-ix.net>
Elisa Jasinska <elisa@ltnw.com>



Field Trial

- Hardware and Software Beta Releases
 - BR-MLX-100Gx2-X 2-port 100GbE Module
 - Version 5.2.0B4T163 (Apr 19 2011)
 - Version 5.2.0B5T177 (May 20 2011)
 - Version 5.2.0B7T163 (Jun 3 2011)

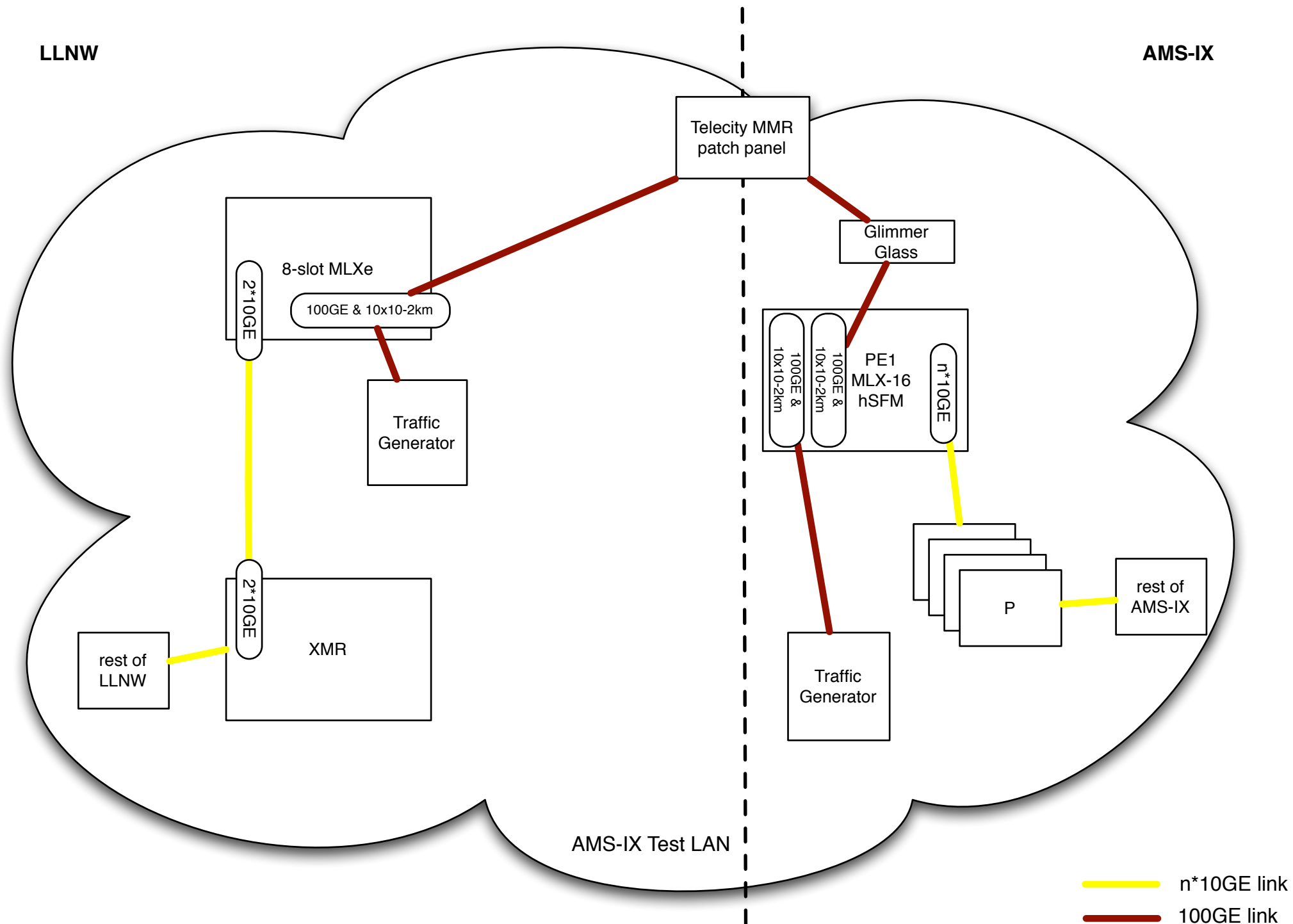


Setup

- MLXe 8-slot at LLNW
 - High-speed Switch Fabric Modules
 - 2 * 10GE to LLNW backbone
- MLX-16 at AMS-IX
 - High-speed Switch Fabric Modules
 - 16 * 10GE to AMS-IX backbone
- 3 * 2-port 100GE Modules
- 4 * 10x10-2km CFP optics
- 2 * 100GE Anritsu traffic generator
- 1 * 10GE Anritsu traffic generator

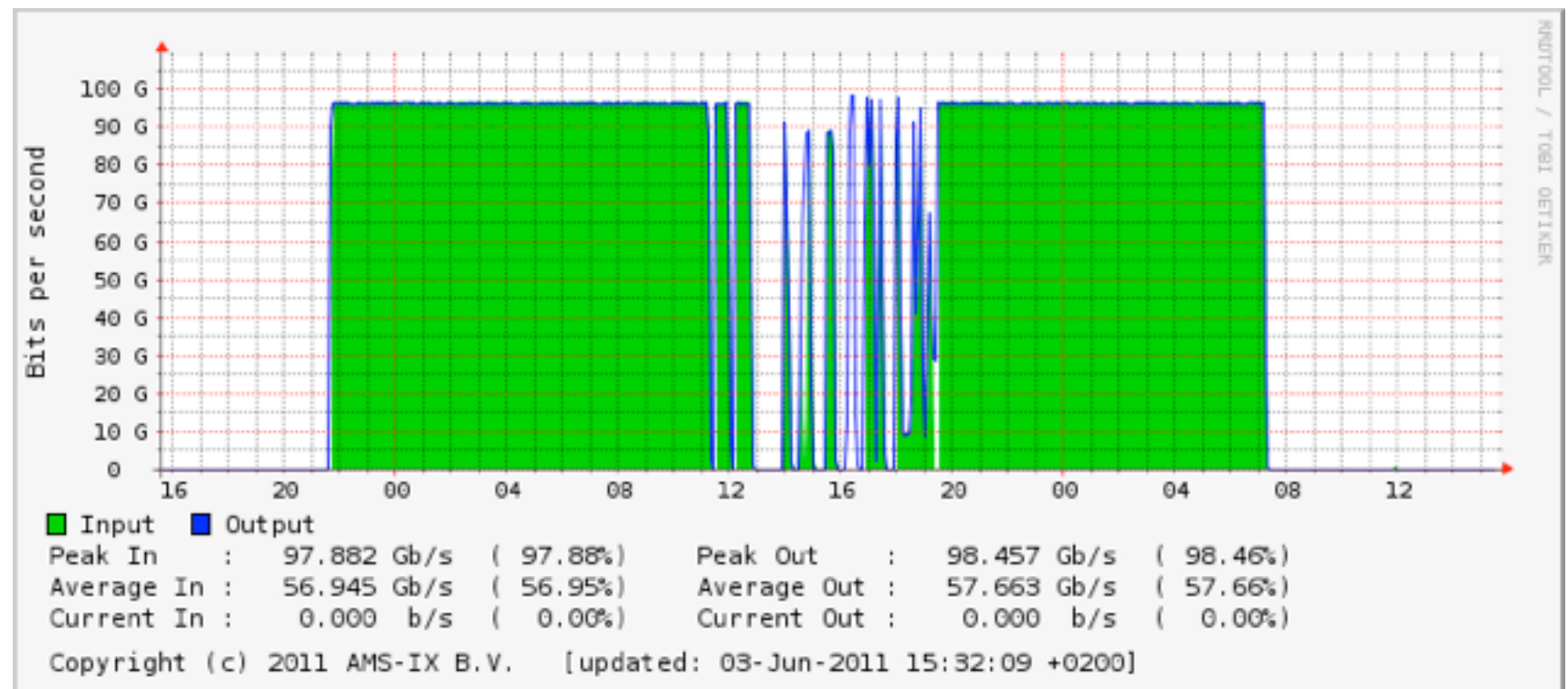


Setup

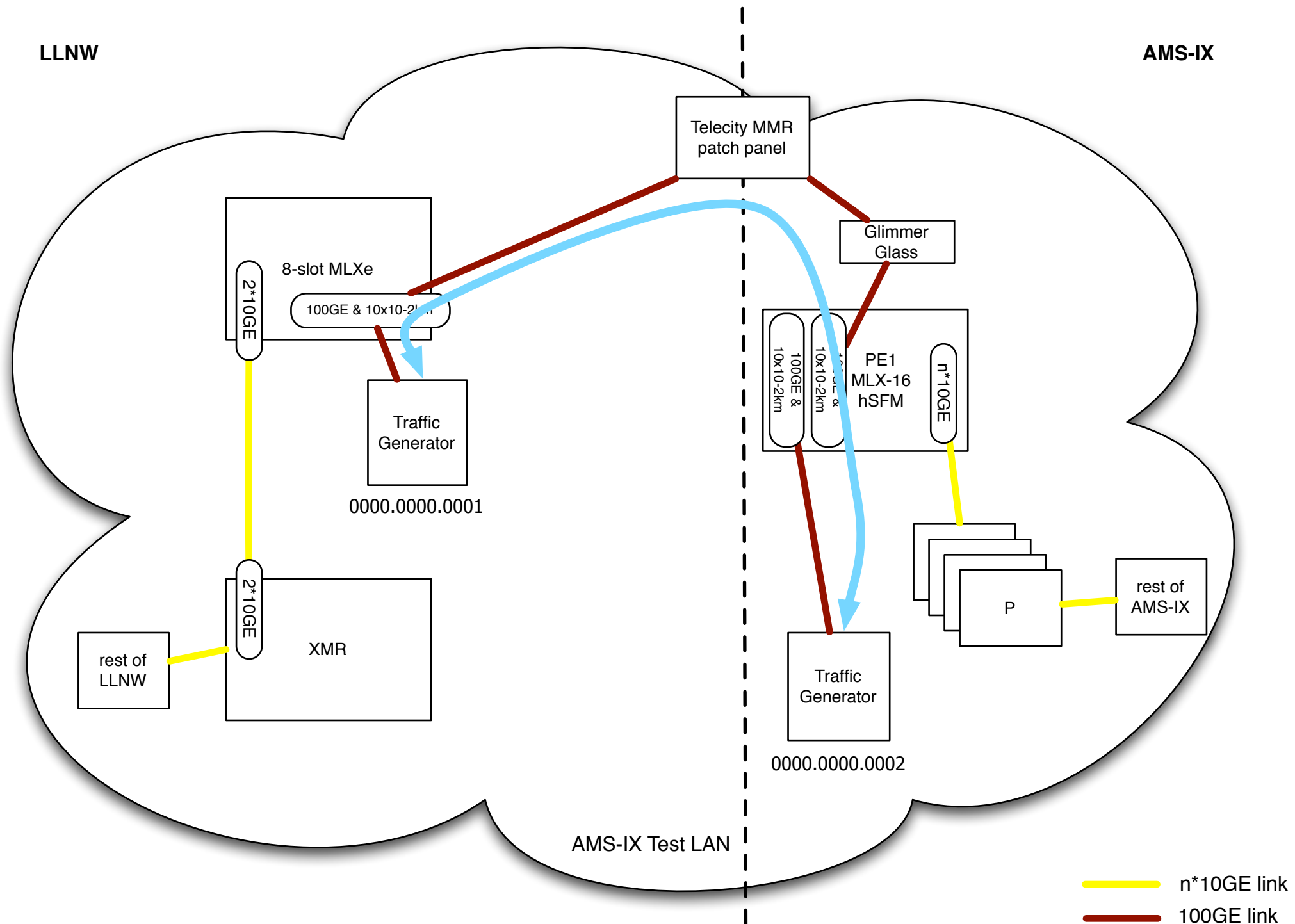


Testing

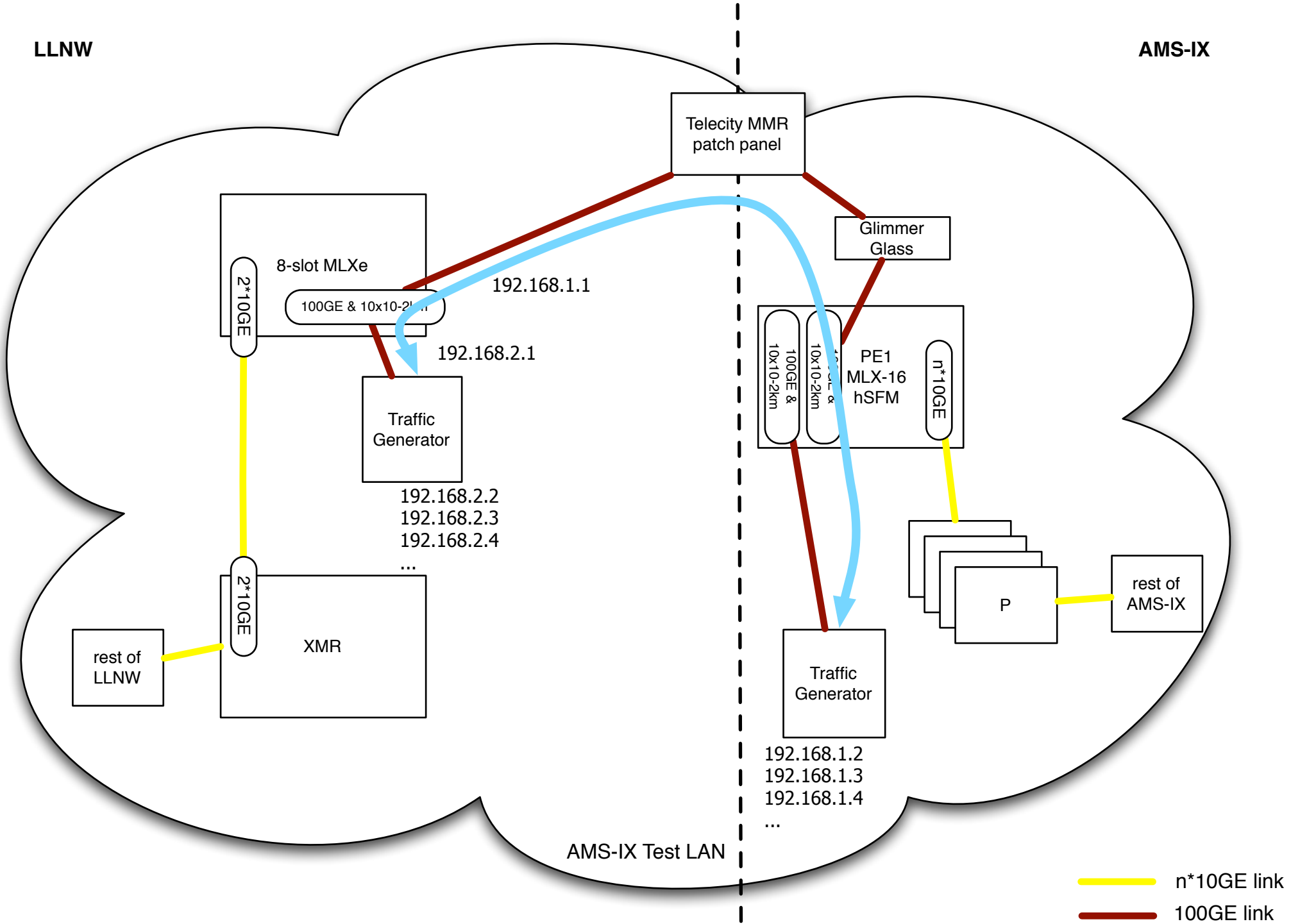
- L2 Forwarding
- Routing IPv4
- AMS-IX Topology Failovers
- Routing IPv6
- More Routing



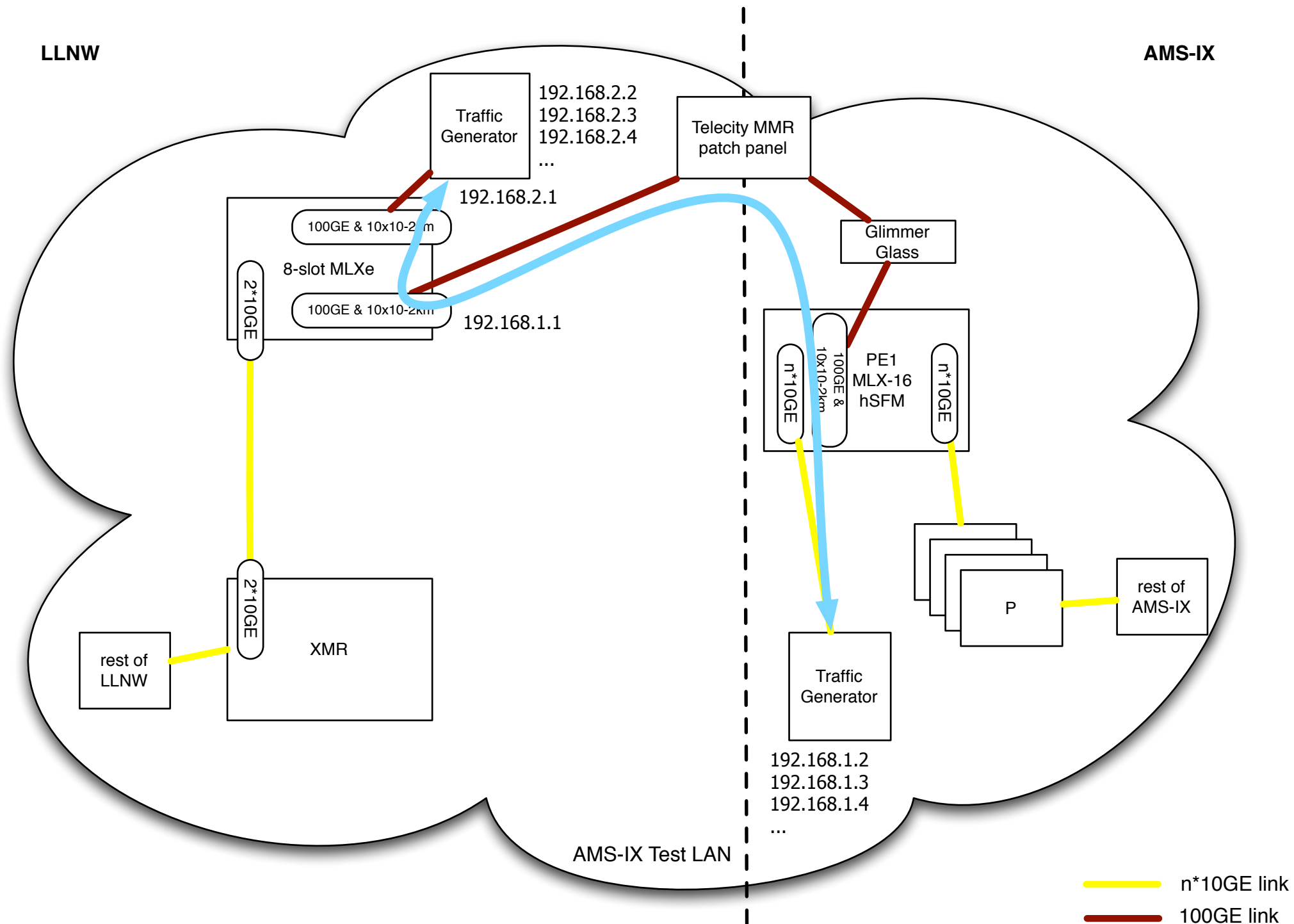
Forwarding



Routing



More Routing



Stuff works!

- Line rate forwarding for Internet traffic mixes
- Line rate routing for Internet traffic mixes
- Jumbo frames (only briefly tested)
- IPv6
- AMS-IX topology failovers (190 ms average service interruption)
- sFlow sampling rate (up to 2048)

Issues

- LP crash and subsequent traffic drop (known issue)
- Bogus MAC learning (reproduction in progress)
- Frame drops across 100GE card (tuning issue, awaiting fix)
- 64 Byte frame drops between 4*10GE and 100GE card (debugging in progress)
- Various minor inconveniences in 5200

More Testing

- Awaiting fixes for open issues (5.2.0B9 software image)
- Re-run tests with latest software
- Production traffic

Thanks!

Questions?

Martin Pels <martin.pels@ams-ix.net>
Elisa Jasinska <elisa@ltnw.com>

